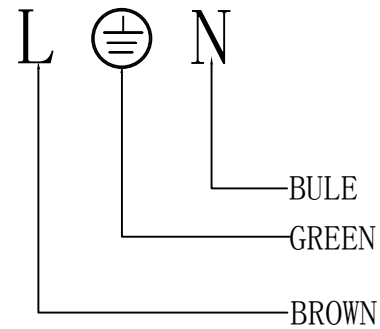
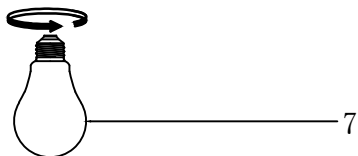
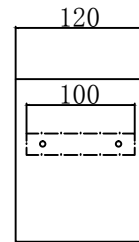
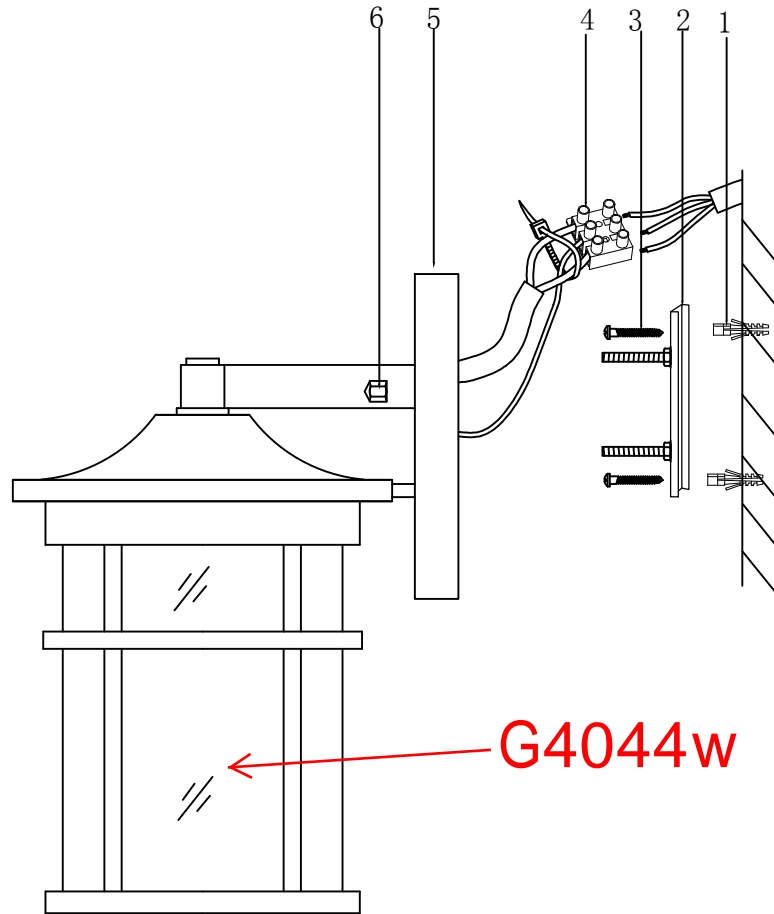
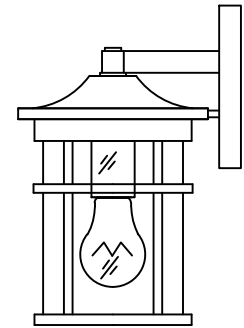


# INSTALLATION INSTRUCTION ODEON LIGHT ART. 4044/1W



## Outdoor wall lamp



 **1 x E27 (60w)**