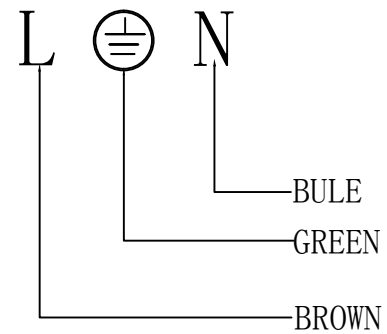
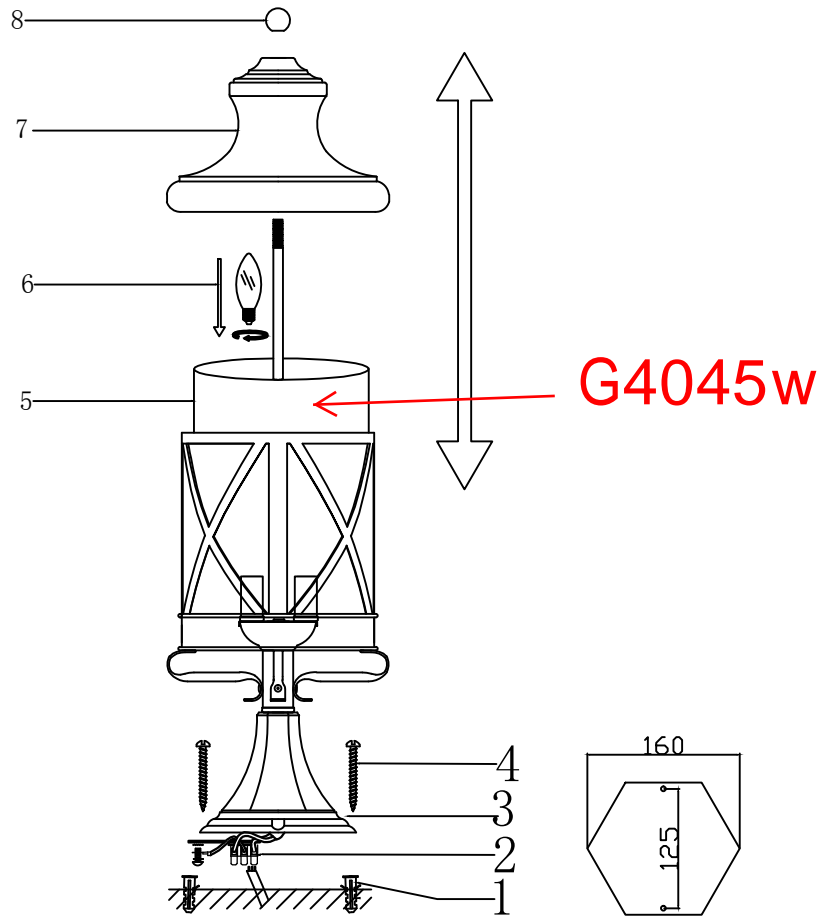
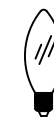
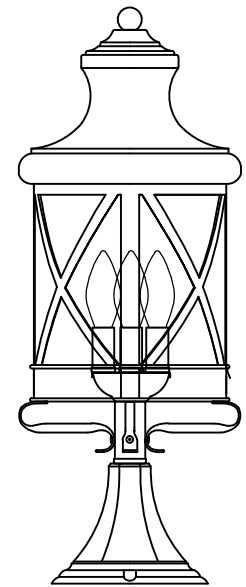


INSTALLATION INSTRUCTION ODEON LIGHT ART. 4045/3B



Outdoor ground lamp



3 x E14(60w)