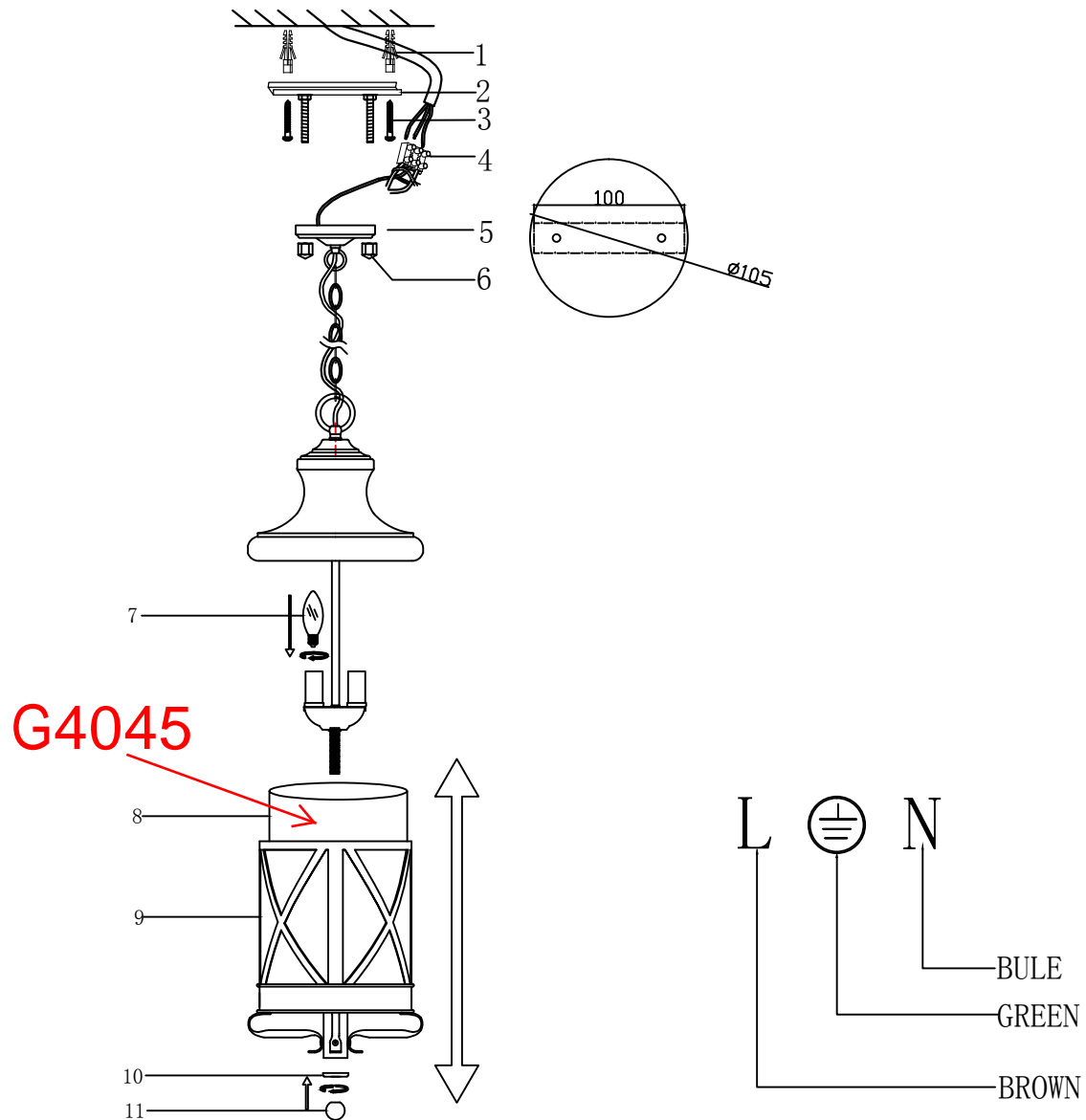
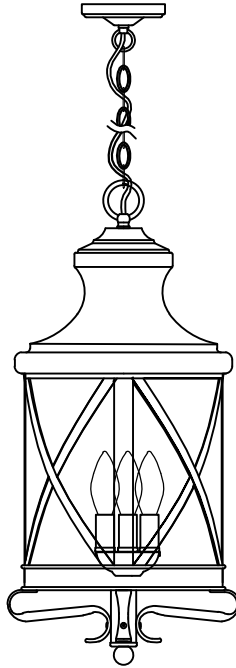



INSTALLATION INSTRUCTION ODEON LIGHT ART. 4045/3



Outdoor pendant lamp



 3 x E14 (60w)