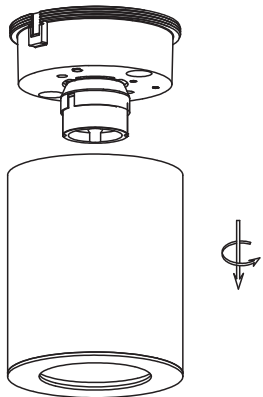
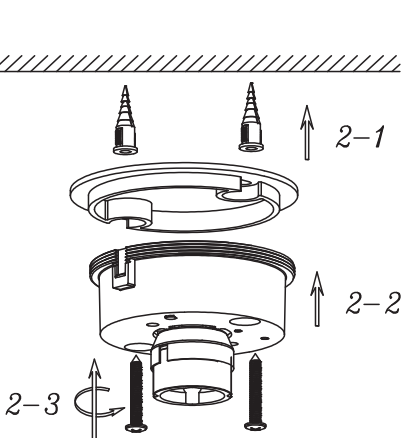
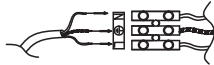
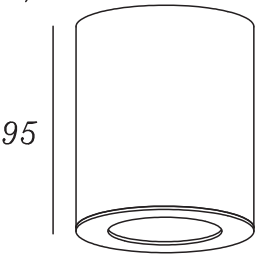
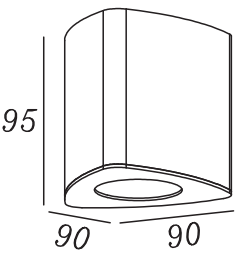
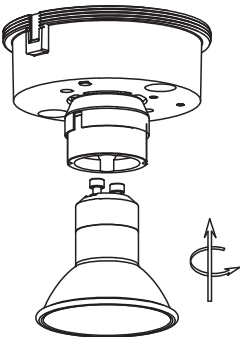


INSTALLATION INSTRUCTION ODEON LIGHT

<p>①</p> 	<p>②</p> 	<p>1x50W GU10</p>  <p>3570/1C 3571/1C 3572/1C</p>  <p>95 76</p> <p>3573/1C 3574/1C 3575/1C</p>  <p>95 90 90</p>
<p>③</p> 	<p>④</p> 